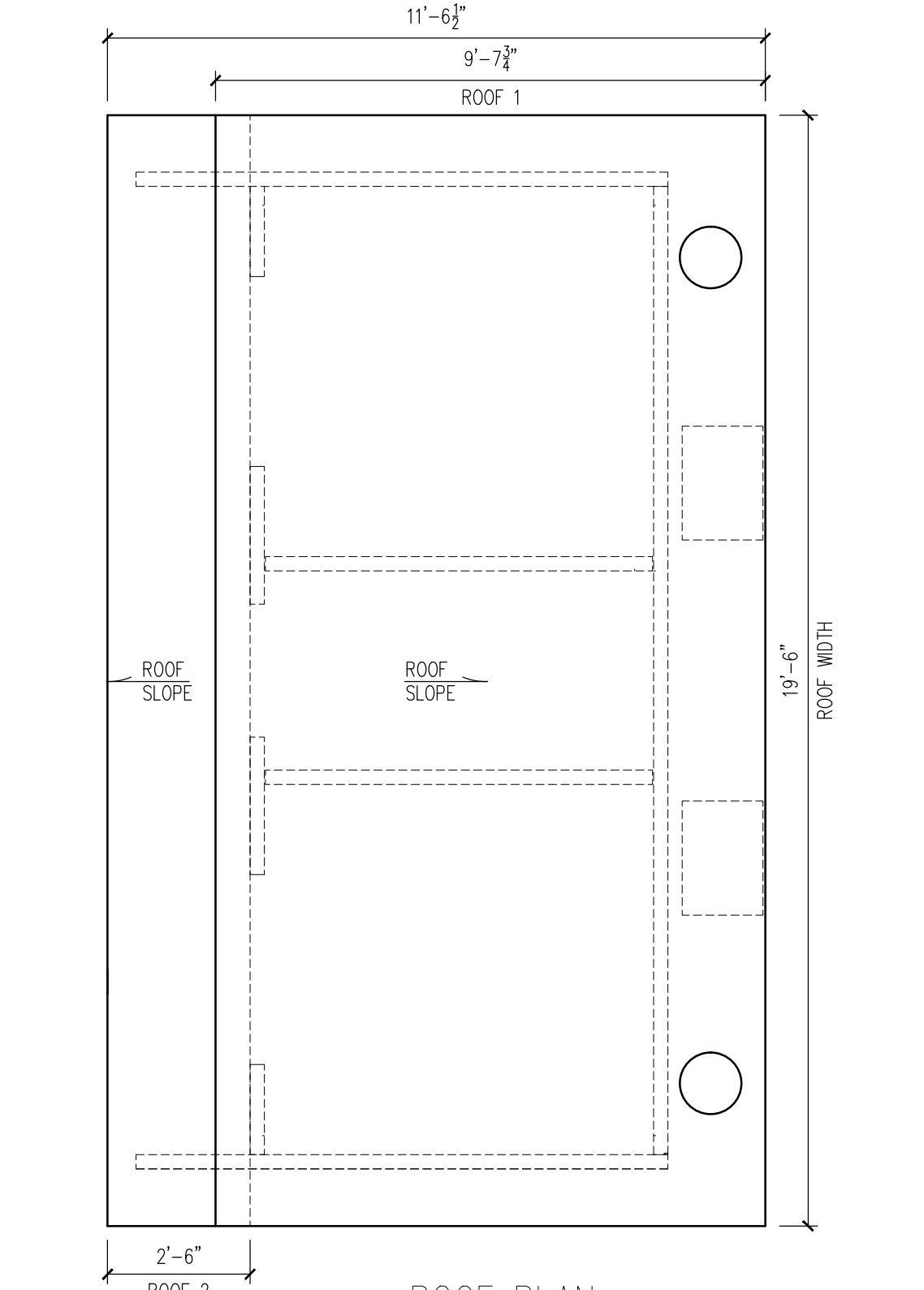
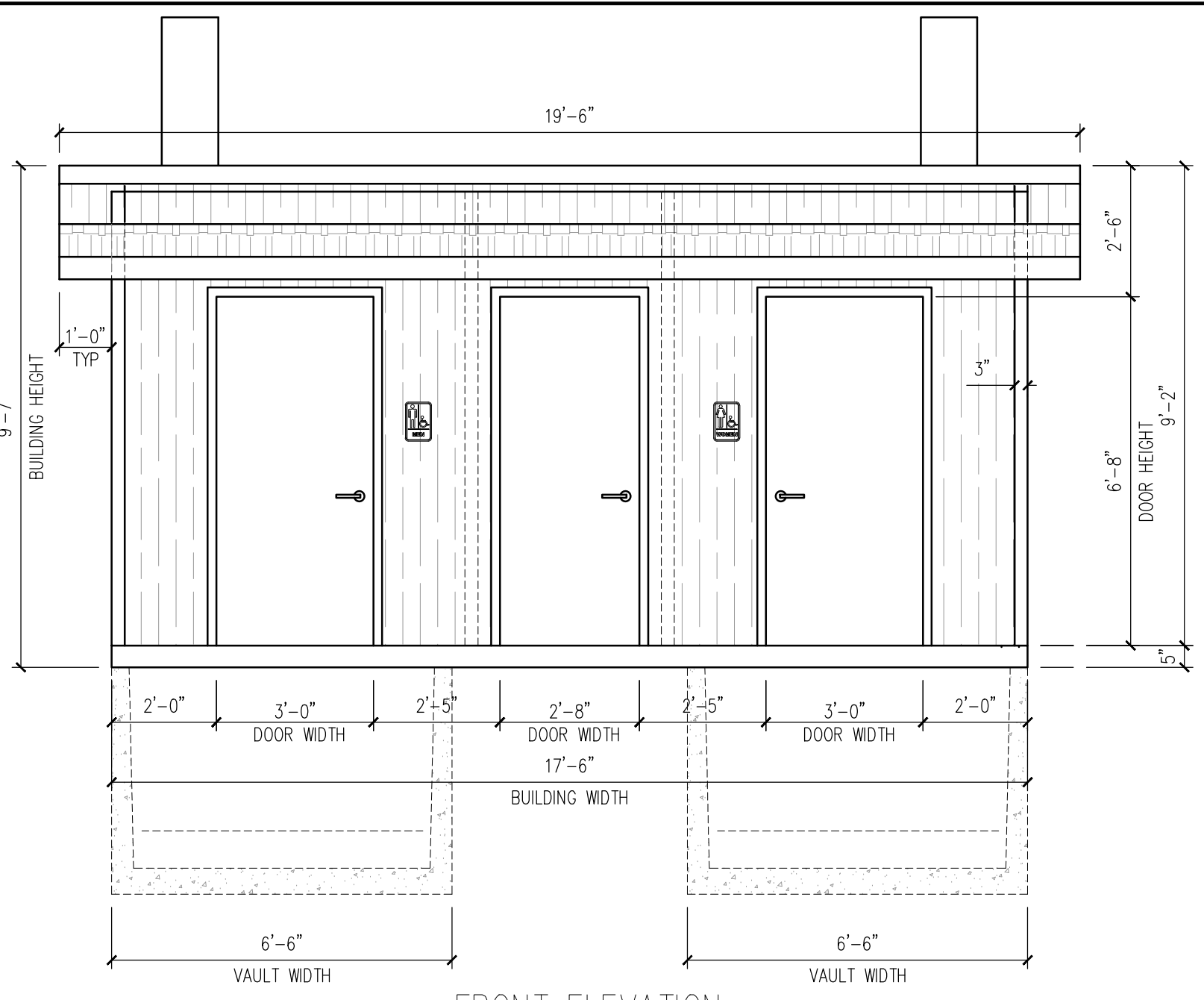


FLOOR PLAN

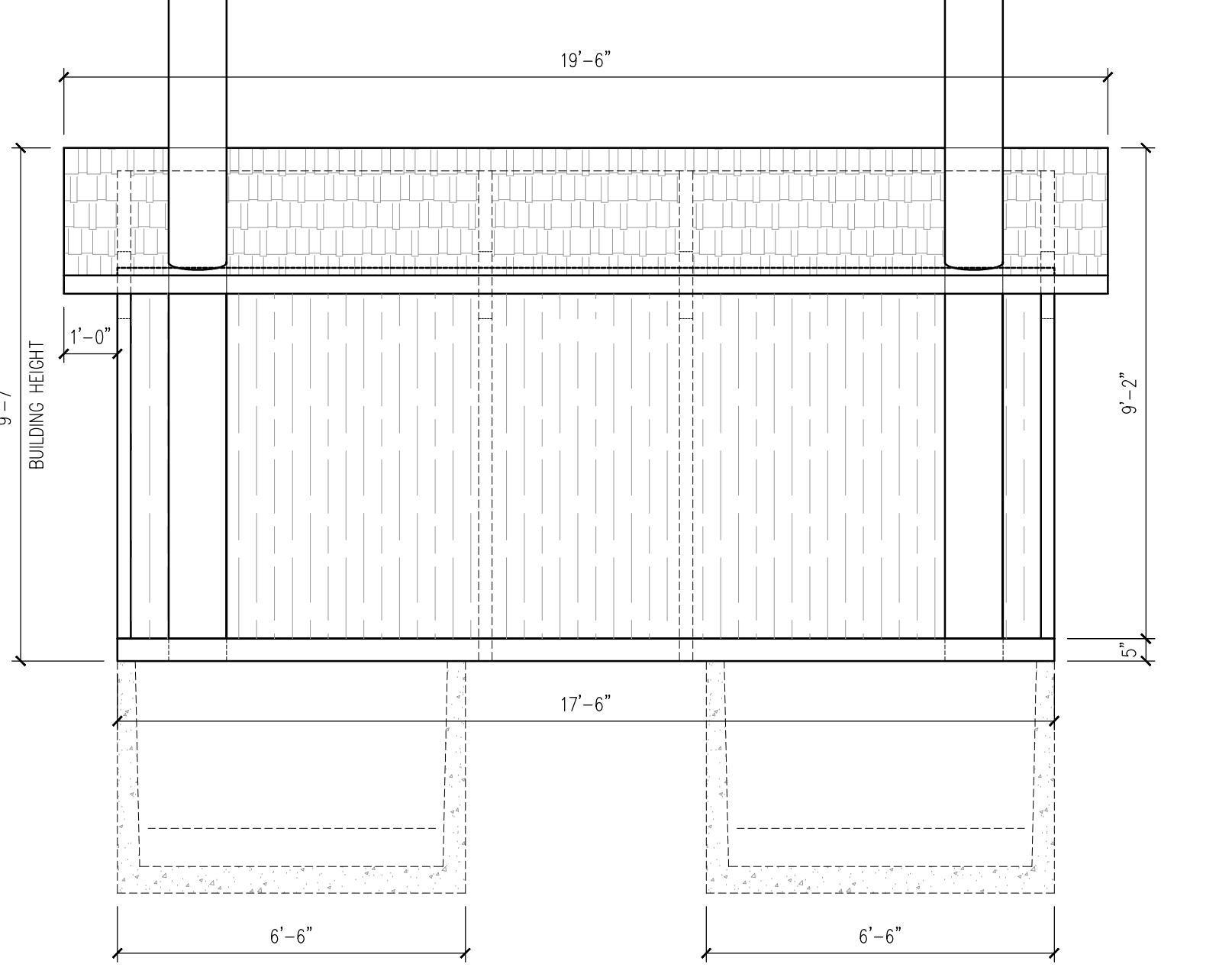


ROOF PLAN

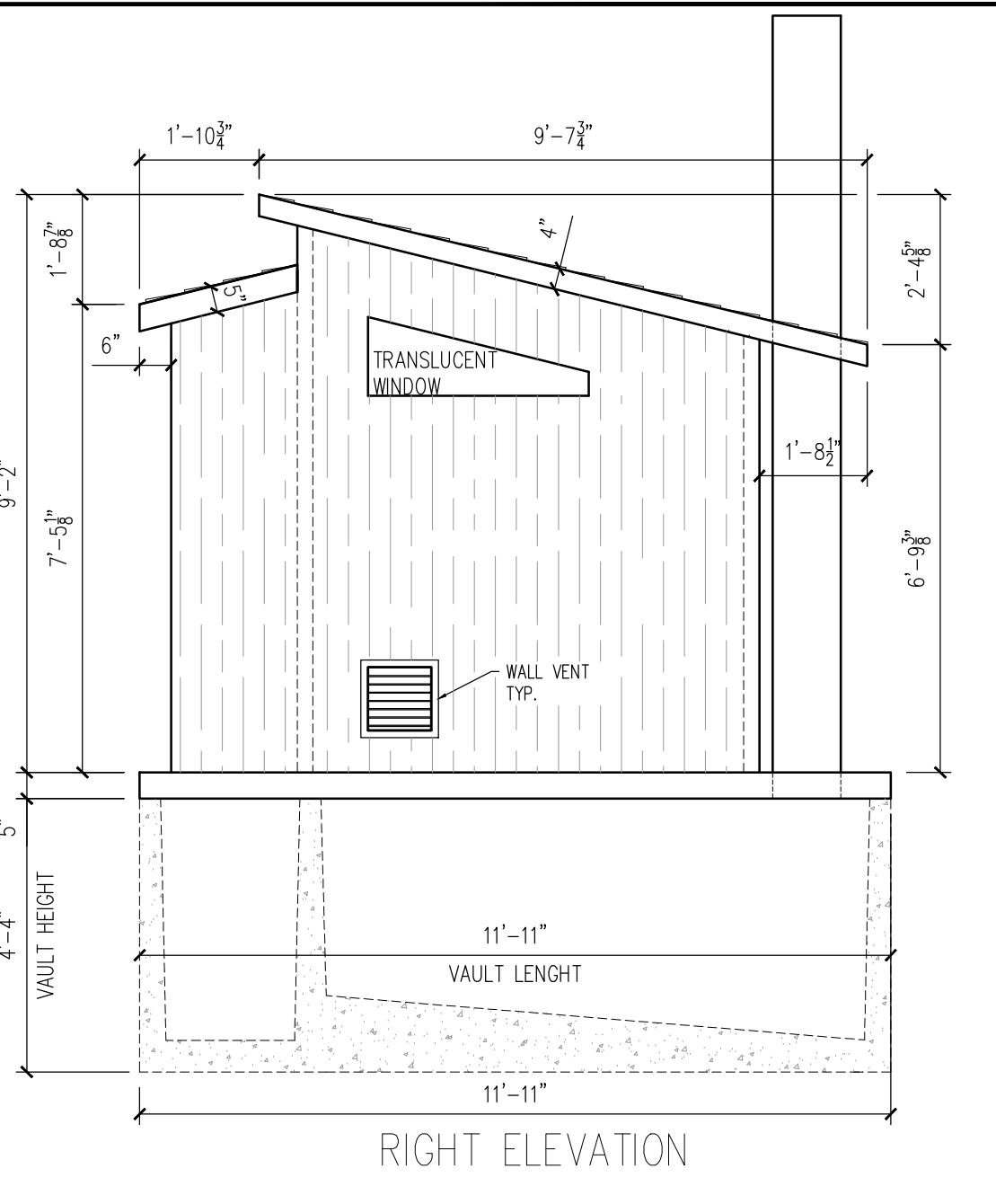
BUILDING LAYOUT



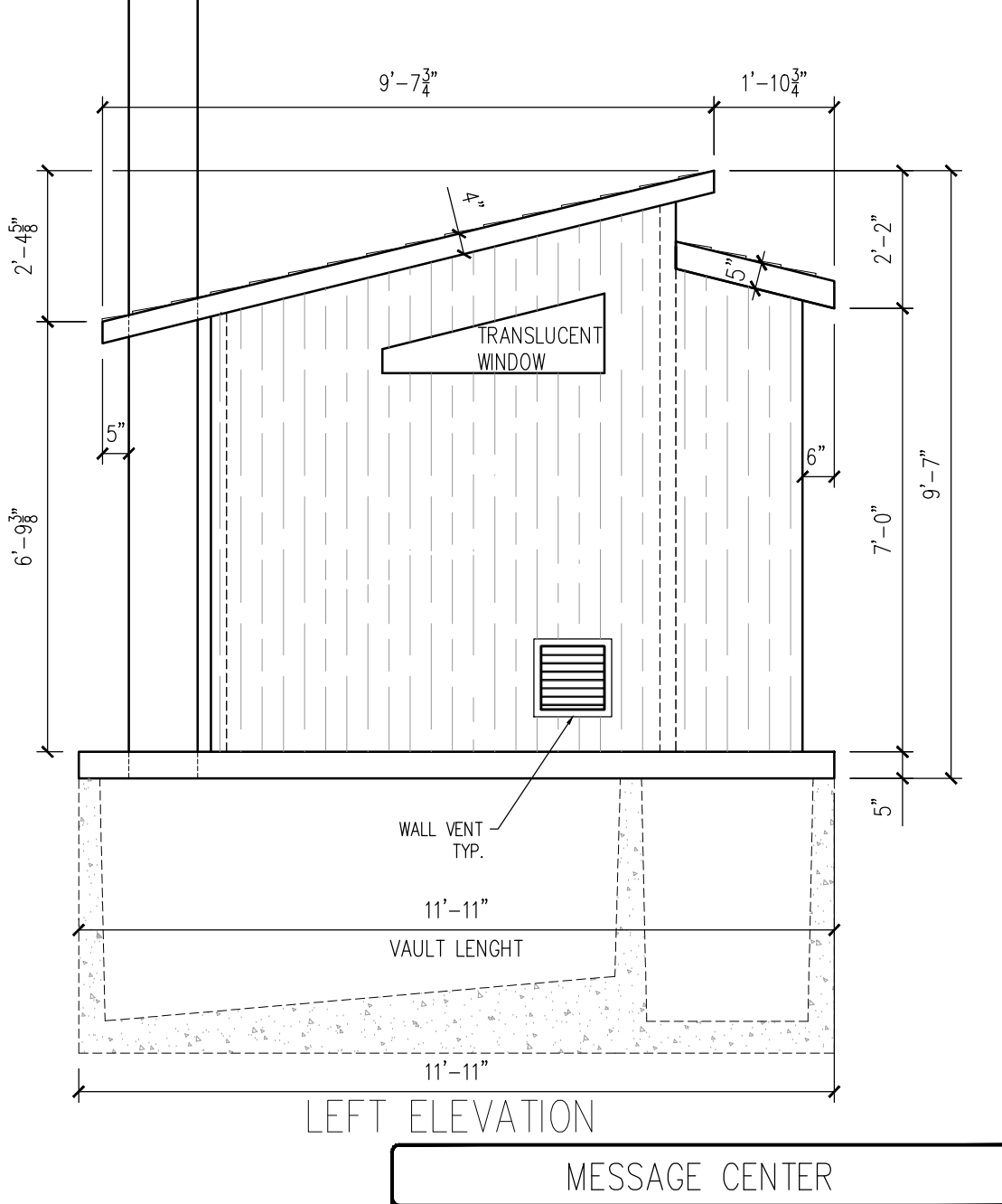
FRONT ELEVATION



REAR ELEVATION



RIGHT ELEVATION



LEFT ELEVATION

NOTE: FINISH OPTIONAL, VARIOUS FINISHES ARE AVAILABLE

- EASI-BRICK
- BARNBOARD
- BROOM
- OTHER: _____

- GENERAL NOTES:
- ALL REQUIRED OPENINGS FOR ELECTRIC, MECHANICAL, LOUVERS, ETC. MUST BE SIZED AND LOCATED BY BUYER ON THIS DRAWING (OPENING SIZES AND LOCATIONS MAY HAVE TO BE ALTERED IF THEY INTERFERE WITH CONNECTIONS OR REINFORCING)
 - ALL VIEWS ARE FROM EXTERIOR
 - A SIGNED COPY MUST BE RETURNED BEFORE BUILDING CAN BE RELEASED FOR PRODUCTION

MESSAGE CENTER	
BUILDING FINISH	_____
BUILDING STAIN	_____
DOOR COLOR	_____
BUILDING WEIGHT	_____
CUSTOMER APPROVAL	
APPROVED BY:	DATE:

DATE	DESCRIPTION	INI.	REV.

PROJECT: 11'-1" x 17'-6" x 9'-7"
 EASI-SET SIERRA VAULT
 RESTROOM BUILDING
 CONTRACTOR: _____

BUILDING LAYOUT

JOB # _____

DRAWN BY
 MJR

CHECK BY
 KSS

ISSUE DATE
 07.08.14

SHEET LAYOUT

EASI-SET® WORLDWIDE
 5119 Catlett Rd. • Midland, VA 22728 • info@EasiSet.com
 www.EasiSet.com • 800-547-4045 • Fax 540-439-2541