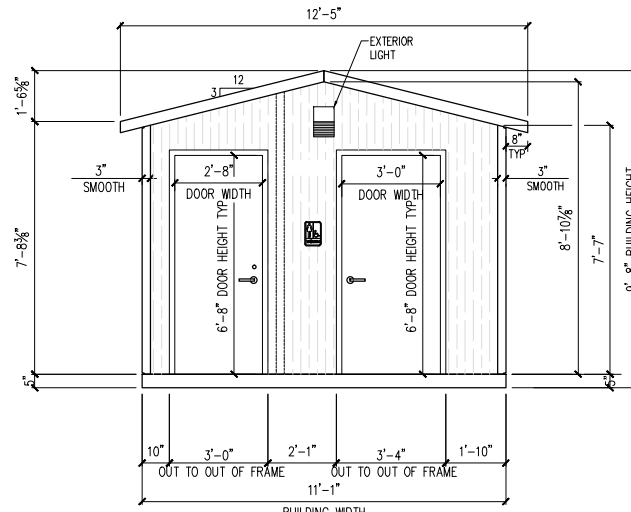
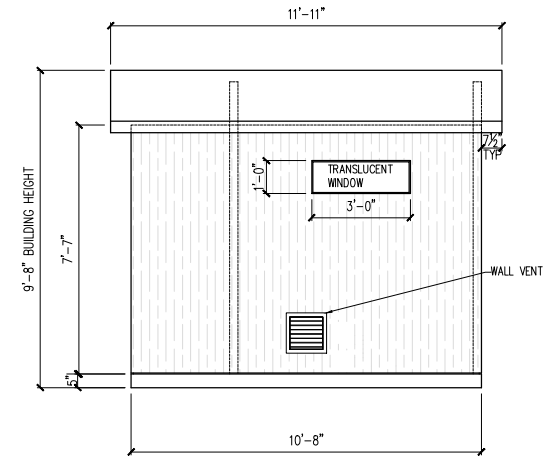


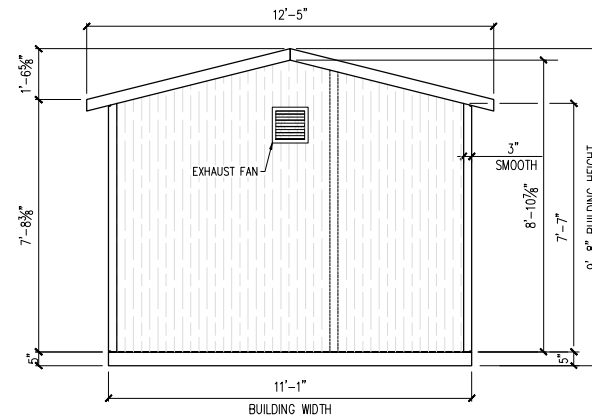
FLOOR PLAN



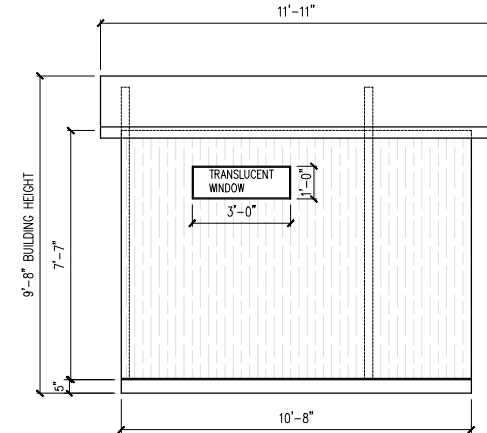
FRONT ELEVATION



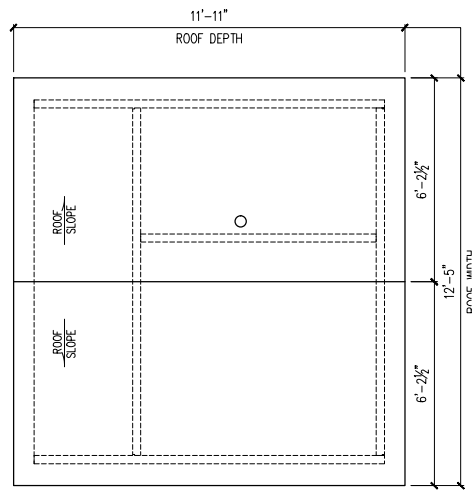
RIGHT ELEVATION



REAR ELEVATION



LEFT ELEVATION



ROOF PLAN

BUILDING LAYOUT

NOTE: FINISH OPTIONAL, VARIOUS FINISHES ARE AVAILABLE

- EASI-BRICK
- BARNBOARD
- BROOM
- OTHER: _____

- GENERAL NOTES:
- ALL REQUIRED OPENINGS FOR ELECTRIC, MECHANICAL, LOUVERS, ETC. MUST BE SIZED AND LOCATED BY BUYER ON THIS DRAWING (OPENING SIZES AND LOCATIONS MAY HAVE TO BE ALTERED IF THEY INTERFERE WITH CONNECTIONS OR REINFORCING)
 - ALL VIEWS ARE FROM EXTERIOR
 - A SIGNED COPY MUST BE RETURNED BEFORE BUILDING CAN BE RELEASED FOR PRODUCTION

MESSAGE CENTER	
BUILDING FINISH	_____
BUILDING STAIN	_____
DOOR COLOR	_____
BUILDING WEIGHT	_____
CUSTOMER APPROVAL	
APPROVED BY:	DATE:

DATE	DESCRIPTION	INT.	REV.

PROJECT: 10'-8" x 11'-1" x 9'-8"
 EASI-SET LOGAN FLUSH
 RESTROOM BUILDING
 CONTRACTOR: _____

BUILDING LAYOUT
JOB #
DRAWN BY MJR
CHECK BY KSS
ISSUE DATE 09.23.15
SHEET LAYOUT

EASI-SET® WORLDWIDE
 5119 Callett Rd. • Midland, VA 22728 • info@EasiSet.com
 WWW.EasiSet.com • 800-547-4045 • Fax 540-439-2541